

MODEL 297

2 Blade • Insulated • For Use in Static Systems • Round Ceiling Radiation Damper

STANDARD MATERIALS AND CONSTRUCTION

- FRAME:** 22-GA galvanized steel; one piece; 3 27/32" standard depth
- BLADES:** 22-GA galvanized steel
- INSULATION:** 1/2" thick gypsum
- FUSIBLE LINK:** 165°F
- SPRING:** Extension type
- FINISH:** Mill

UNDERWRITERS LABORATORIES INC.®

CLASSIFIED STATIC CEILING DAMPER

FIRE RESISTANCE RATING

abi air balance

FILE #R11235



This ceiling radiation damper meets the construction and performance requirements of:

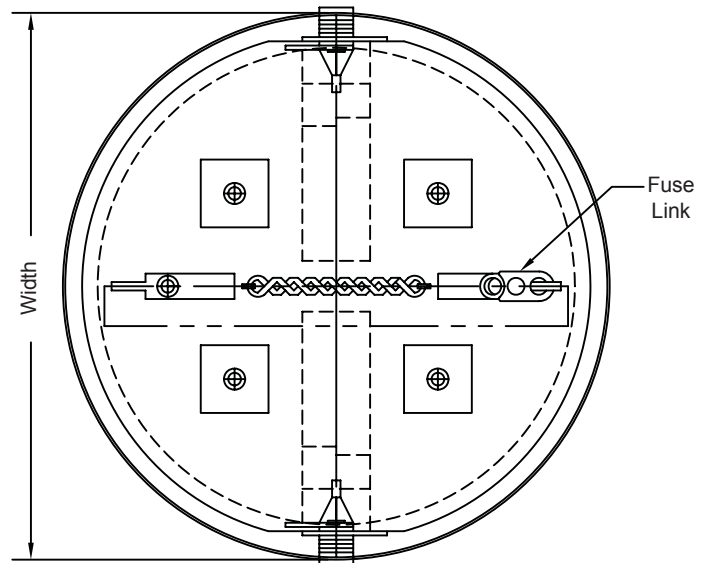
- Underwriters Laboratories Inc. Standards 555C
- New York City MEA Listing #110-99-M
- California State Fire marshal Listing #3226-1328:105
- 1 hour Combustible Ceiling Assemblies
- 1 hour and 2 hour Non-Combustible Ceiling Assemblies

OPTIONS

- 212°F Fusible Link
- Thermal Blanket
- Top Extension (see Frame Extension Chart)
- Bottom Extension (see Frame Extension Chart)
- Top and Bottom Extension (see Frame Extension Chart)

NOTES

1. Dampers are provided exact size in 1" increments.
 - Deduct 1/4":
 - A. For installation where damper is to be installed inside a steel duct.
 - B. For lay-in installation where damper is to be installed directly into the tee bar grid of the ceiling.
 - Do not deduct 1/4":
 - For surface mount ductless installation where damper is to be installed over the neck of a grille or lay-in diffuser.
2. This ceiling damper is used to provide the required fire and heat radiation protection of HVAC penetrations of Floor Ceiling and Roof-Ceiling Assemblies having a Restrained or Unrestrained Assembly Fire Resistance Ratings of 2 hour or less, in accordance with UL263. Standard Fire Dampers (1 1/2 hr. and 3 hr.) do not provide the necessary heat radiation protection. Ceiling Dampers are also called Ceiling Fire Dampers, Radiation Dampers, and Radiation Shields. See Air Balance's UL-Approved Installation Instructions for various installation requirements and procedures. Approved Ceiling Designs are illustrated by Design Number in UL's Fire Resistance Directory.

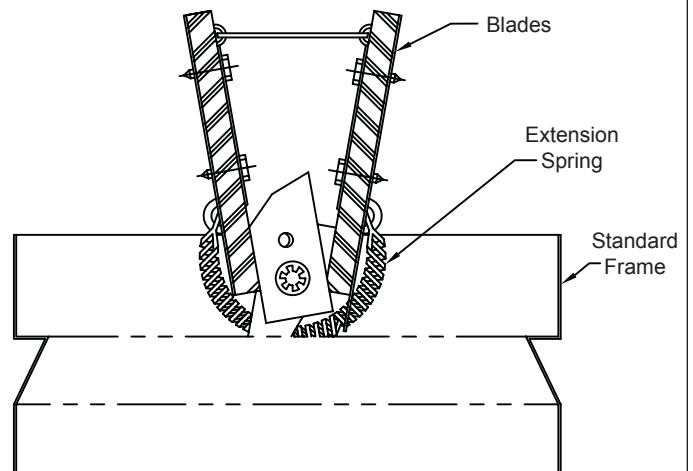


DAMPER SIZE

Orientation	Horizontal (Ceiling) Mount Only	
Panels	Min Panel	Max Panel
297	11 3/4" dia.	314 sq.in. 20" dia.

Frame Extension Chart

Depths listed are total frame depths.	Heights: 11 3/4" - 16"	Heights: 16 3/4" - 20"
Top Extension	10 1/2"	12 1/2"
Bottom Extension	5 1/2"	5 1/2"
Top and Bottom Extension	12 7/8"	14 7/8"



MODEL 297

2 Blade • Insulated • For Use in Static Systems • Round Ceiling Radiation Damper

This page is intentionally left blank.