

# MODEL A455I/A455E

4" Deep • Non-Drainable Blade • Combination Intake/Exhaust • Extruded Aluminum Louver

## STANDARD MATERIALS AND CONSTRUCTION

- FRAME:** .081" thick; 6063-T6/T52 extruded aluminum alloy
- BLADES:** Stationary - .081" thick; 6063-T6/T52 extruded aluminum alloy; Operable - .050" thick; 6063-T6/T52 extruded aluminum alloy
- SHAFT:** .50 dia. aluminum Pin-Lock rod
- ASSEMBLY:** Mechanically fastened
- SCREEN:** 1/2" x .051" flattened aluminum birscreen
- FINISH:** Mill

## OPTIONS

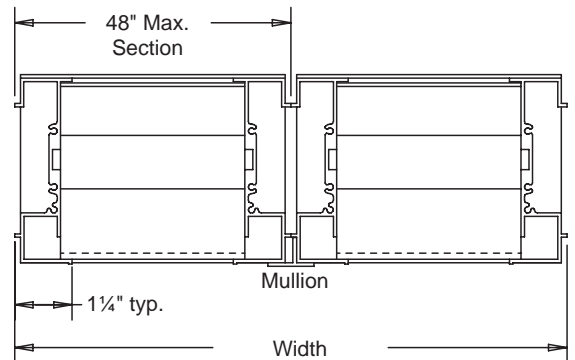
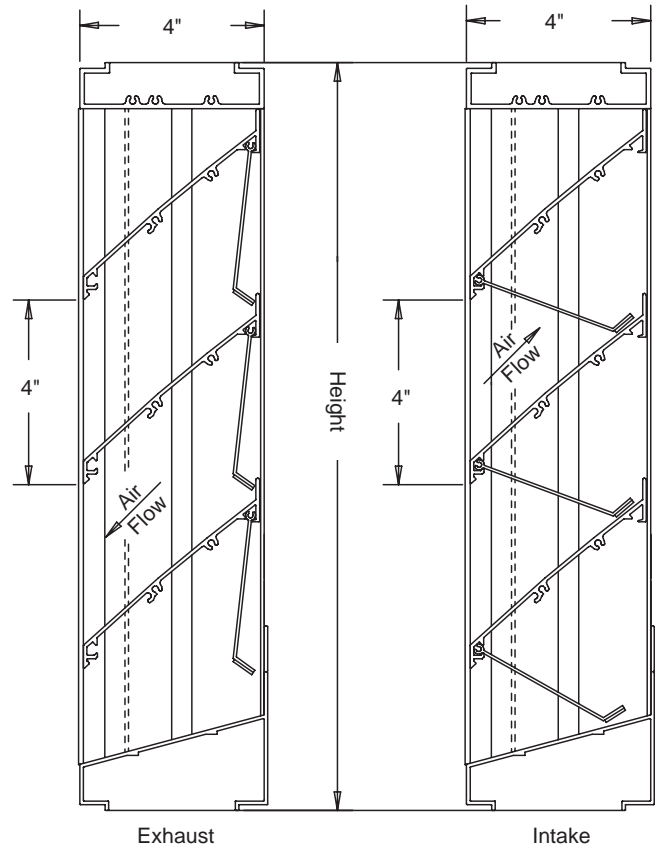
Finish - Baked Enamel, Kynar, or Anodize  
 Variety of Bird and Insect Screen

## NOTES

1. "A" width and "B" height are opening dimensions. Louvers are provided approximately 1/2" undersize.
2. Inter-connecting linkage and counterweights not available.
3. Specify intake or exhaust when ordering
4. Shipping weight approximately 5.6 lbs./sq.ft.

## LOUVER SIZES

Panels	Minimum Panel	Maximum Panel
A455I	12"W x 12"H	48"W x 96"H
A455E		



air balance

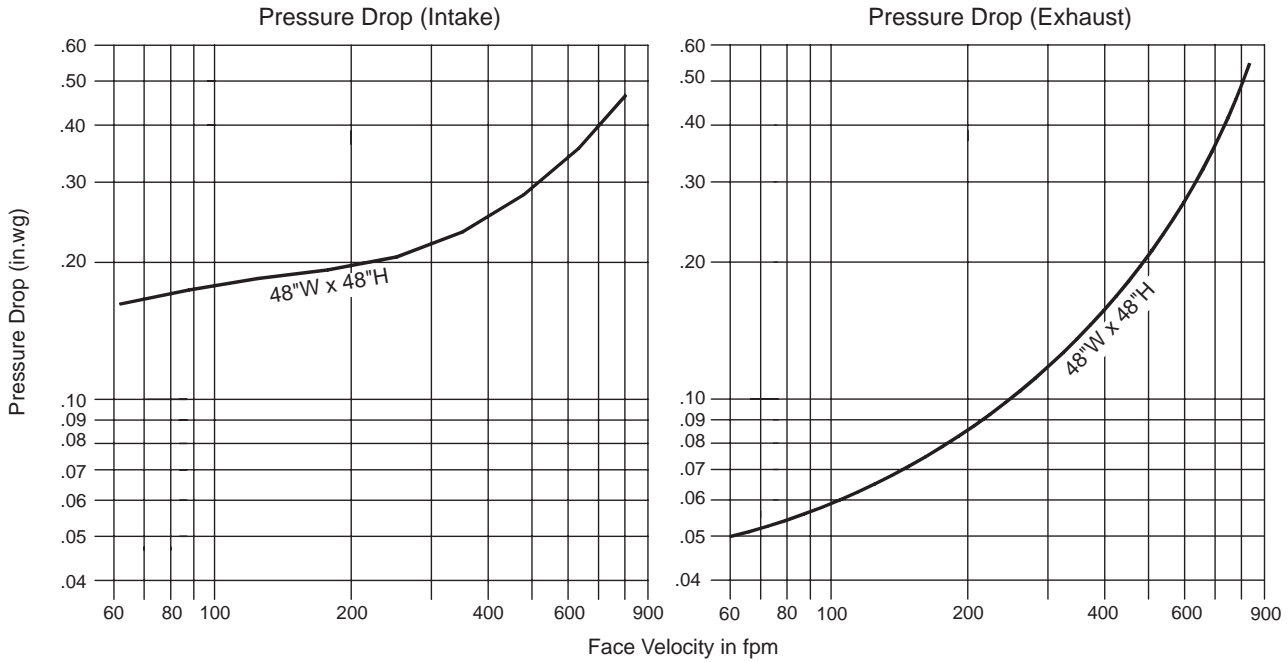
Dampers  Louvers  
 UL Life Safety Products  
 Division of Mestek  
 Member of AMCA

# MODEL A455I/A455E

4" Deep • Non-Drainable Blade • Combination Intake/Exhaust • Extruded Aluminum Louver

### Pressure Drop Rating:

Louver installed per AMCA 500 Fig. 5.4 (face mounted to a plenum) pressure is corrected to .075 lb./cu.ft. air density.



Typical performance for model A455I/A455E combination louver, without the use of blade linkage, counterweights, and screens.