

MODEL A488A

Extruded Aluminum Louver • 6" Deep • Non-Drainable • Adjustable Blades

STANDARD MATERIALS AND CONSTRUCTION

- FRAME:** .080" thick; 6063-T6/T52 extruded aluminum alloy
- BLADES:** .080" thick; 6063-T6/T52 extruded aluminum alloy
- FACE OF LOUVER:** Full width sill and drain head and non-drain blades contained within the drain jambs
- LINKAGE:** Extruded aluminum, concealed in channel out of airstream. Pivots are .50 dia. machined steel. Cadmium plated and chromate treated. Pivots rotate in a celcon bearing. A .312" dia. Aluminum linkage rod is locked to the pivot by a 1/4 - 20 set screw with epoxy locking patch.
- SHAFT:** .50 dia. aluminum "Pin-Lock" Rod
- BLADE SEALS:** Extruded silicone rubber seal at blade edge
- JAMB SEALS:** Polyurethane
- SCREEN:** 1/2" x .051" flattened aluminum bird screen
- FINISH:** Mill

OPTIONS

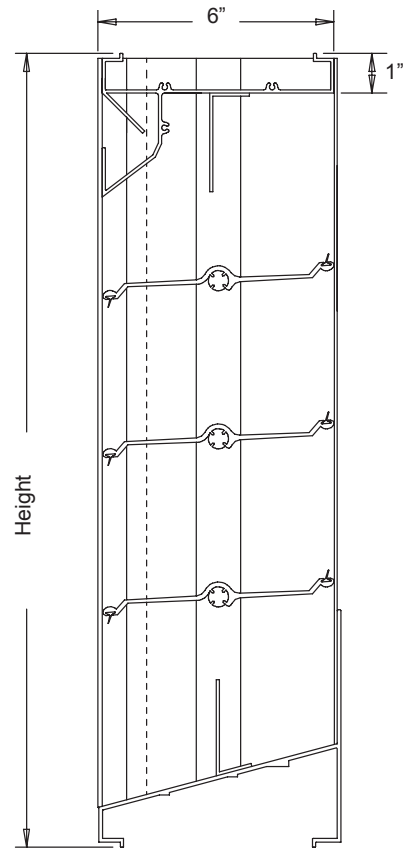
- Finish - Baked Powder Polyester, Kynar, or Anodize
- Variety of Bird and Insect Screen
- 1 7/8" Usable Flange Frame
- Blank-off Panels
- Actuators (Electric, Pneumatic, Manual, etc.)

NOTES

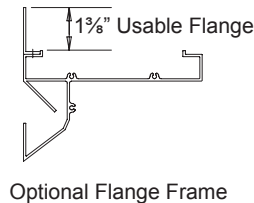
1. "A" width and "B" height are opening dimensions. Louvers are provided approximately 1/2" undercut.
2. Shipping weight approximately 5.0 lbs./sq.ft.

LOUVER SIZES

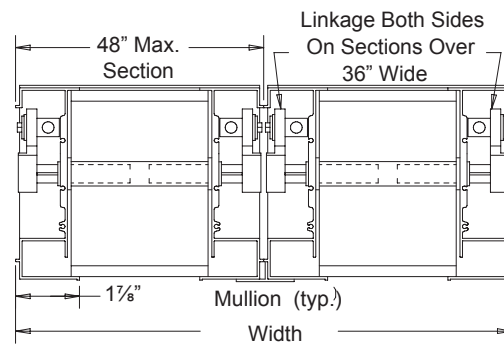
Panels	Min Panel	Max Single Panel
A488A	12"W x 12"H	48"W x 96"H



Section View



Optional Flange Frame



air balance

Dampers  Louvers
 UL Life Safety Products
 Division of Mestek
 Member of AMCA

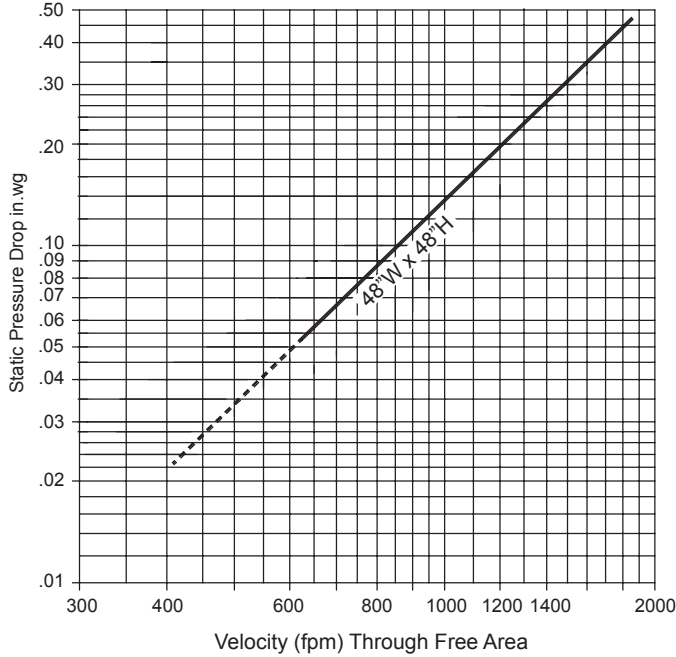
MODEL A488A

Extruded Aluminum Louver • 6" Deep • Non-Drainable • Adjustable Blades

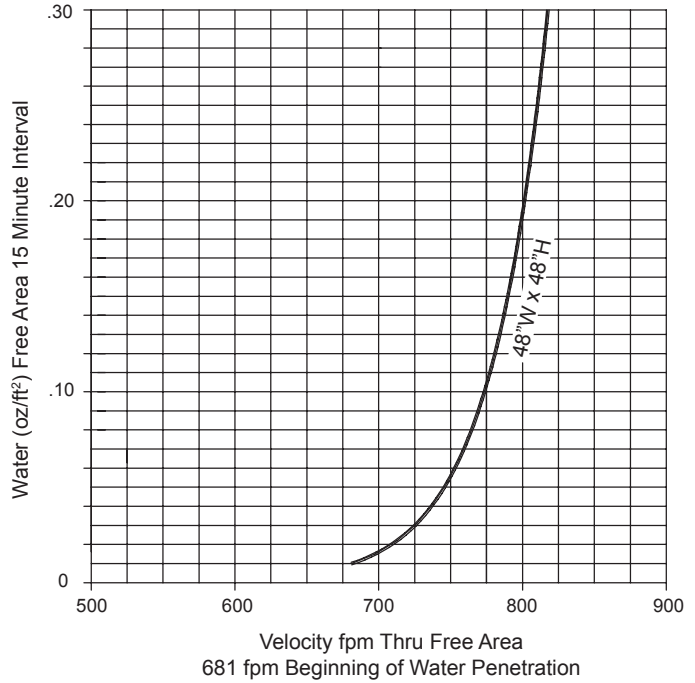
Water Penetration: 600 fpm maximum free area velocity
 Pressure Drop: 0.14 in.wg at 1000 fpm and 10,710 scfm
 Free Area: 10.71 sq.ft. = 67% for 48"W x 48"H test size

Ratings do not include effects of birdscreen.

Intake Pressure Drop



Water Penetration



Free Area sq.ft.

		Width						
		12"	18"	24"	30"	36"	42"	48"
Height	12"	0.22	0.39	0.56	0.73	0.90	1.07	1.24
	24"	0.79	1.38	1.97	2.56	3.15	3.74	4.33
	36"	1.35	2.36	3.37	4.38	5.39	6.40	7.41
	48"	1.91	3.34	4.77	6.21	7.64	9.07	10.71
	60"	2.47	4.32	6.18	8.03	9.89	11.74	13.59
	72"	3.03	5.31	7.58	9.86	12.13	14.41	16.68
	84"	3.59	6.29	8.99	11.68	14.38	17.07	19.77
	96"	4.16	7.27	10.39	13.51	16.63	19.74	22.86

air balance

Dampers  Louvers
 UL Life Safety Products
 Division of Mestek
 Member of AMCA