

MODEL A635AF

6" Deep • Combination Adjustable Airfoil and Stationary Drainable Louver

STANDARD MATERIALS AND CONSTRUCTION

- FRAME:** .080 thick; 6063-T6/T52 extruded aluminum alloy
- STATIONARY BLADES:** .080 thick; 6063-T6/T52 extruded aluminum alloy on 4 1/2" centers
- ADJUSTABLE BLADES:** .125" thick; 6063-T6/T52 extruded aluminum alloy
- FACE OF LOUVER:** Full head and sill with blade and jambs contained within
- LINKAGE:** Extruded aluminum, concealed in channel out of airstream. Pivots are 1/2" dia. machined steel, cadmium plated and chromate treated. Pivots rotate in a celcon bearing. A .312" dia. aluminum linkage rod is locked to the pivot by a 1/4-20 set screw with an epoxy locking patch
- SHAFTS:** 1/2" dia. aluminum "pin-lock" rod
- BLADE SEALS:** Extruded silicone rubber seal
- JAMB SEALS:** Stainless steel
- SCREEN:** Bird screen 1/2" flattened aluminum, .051" thick
- FINISH:** Mill on galvanized steel

OPTIONS

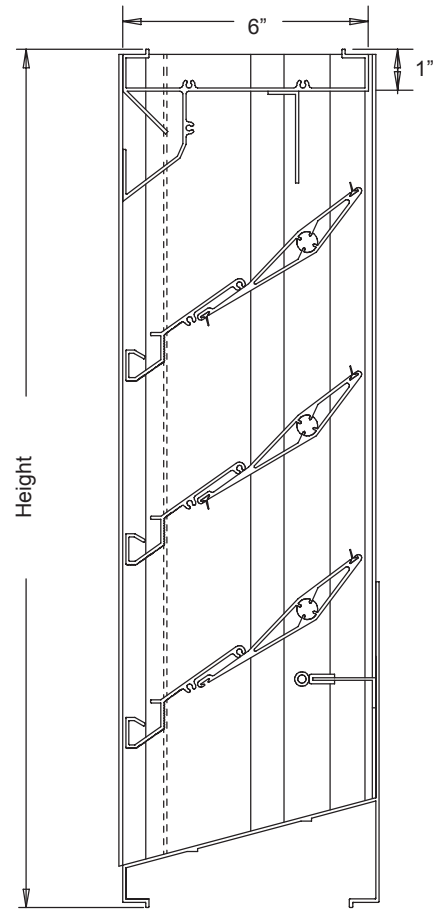
- Flange Frame
- Bird Screen in a Removable Frame
- Variety of Bird and Insect Screens
- Finishes - Baked Enamel, Kynar, Anodize
- Actuators - Electric, Pneumatic, Manual

NOTES

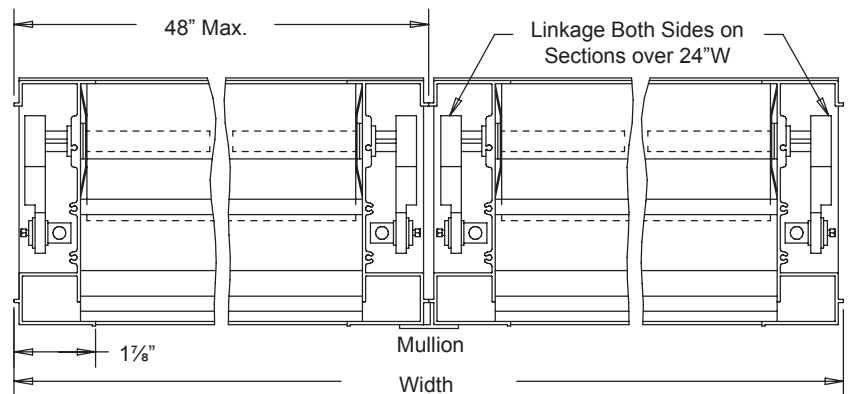
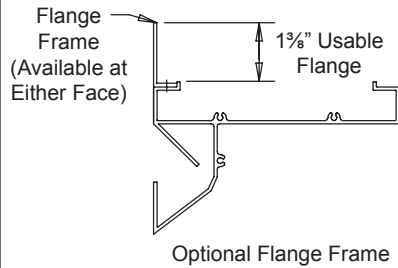
1. "A" width and "B" height are opening dimensions. Louvers are provided 1/2" undersize.

LOUVER SIZES

Orientation	Horizontal & Vertical	
Panel	Minimum Panel	Maximum Single Panel
Rectangular	12"W x 12"H	48"W x 96"H



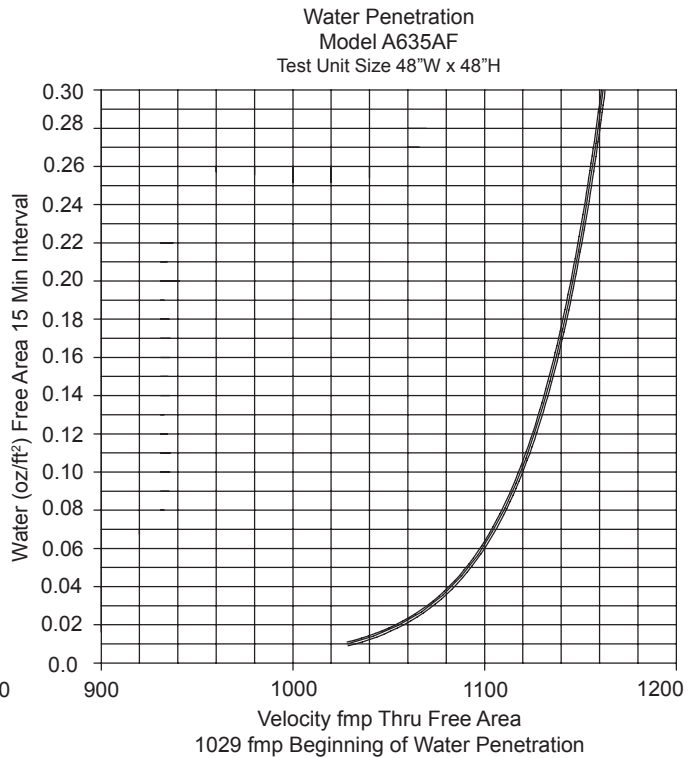
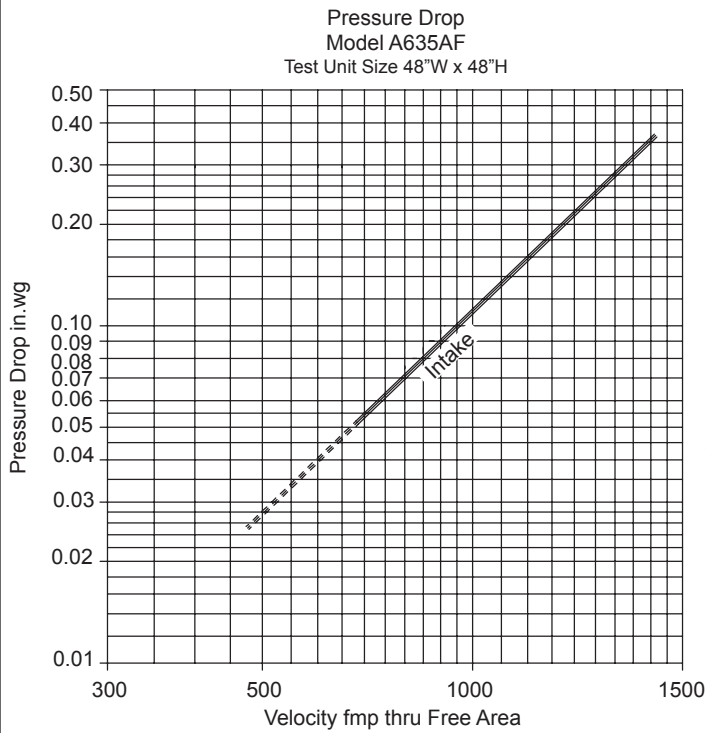
Section View



MODEL A635AF

6" Deep • Combination Adjustable Airfoil and Stationary Drainable Louver

Water Penetration: 0.01oz at 1026 fpm recommended free area velocity
 Pressure Drop: 0.14 in.wg at 1026 fpm and 8465 SCFM
 Free Area: 8.25 sq.ft = 52% for 48"W x 48"H test size



Free Area sq.ft

		Width						
		12	18	24	30	36	42	48
Height	12	.14	.24	.34	.45	.55	.65	.76
	24	.64	1.12	1.6	2.08	2.55	3.03	3.51
	36	1.00	1.76	2.51	3.26	4.02	4.77	5.52
	48	1.50	2.62	3.75	4.87	5.99	7.11	8.24
	60	2.00	3.50	4.99	6.49	7.99	9.49	10.99
	72	2.36	4.14	5.91	7.67	9.45	11.23	13.00
	84	2.86	5.00	7.14	9.29	11.42	13.59	15.71
	96	3.36	5.87	8.39	10.91	13.43	15.94	18.46

Air Leakage (louver installation position, intake) is per AMCA Standard 500 Procedure Fig. 5.5.

Air leakage with adjustable blade in closed position with a seating torque of 6.25 in.lb/sq.ft. of louver face area. Leakage is based on a test of a 48"W x 48"H louver.

