

MODEL ASV

Equipment Screen • Extruded Aluminum Louvers

STANDARD MATERIALS AND CONSTRUCTION

SUPPORTS: Shall incorporate rear angle 2" x 2" x 1/4" extruded aluminum to withstand windload of 20 psf, approximately 90 mph wind; spaced on 60" centers

BLADES: .081" thick; 6063-T6/T52 extruded aluminum alloy

BLADE SPACING: 3"

FINISH: Mill

OPTIONS

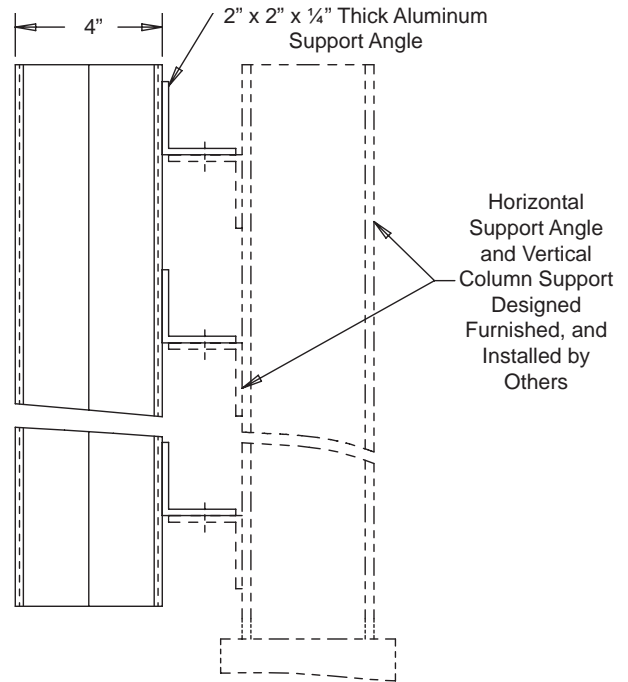
Finish - Baked Enamel, Kynar, Anodize
 Mitered or Post Corner
 Hinged Access
 Cap Covers

NOTES

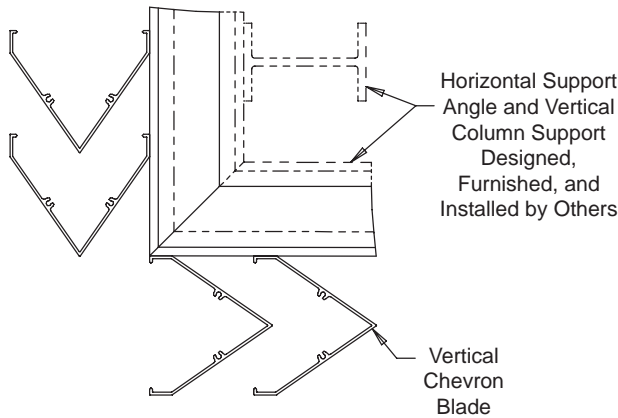
1. Shipping weight approximately 5 lbs./sq.ft.

SCREEN SIZES

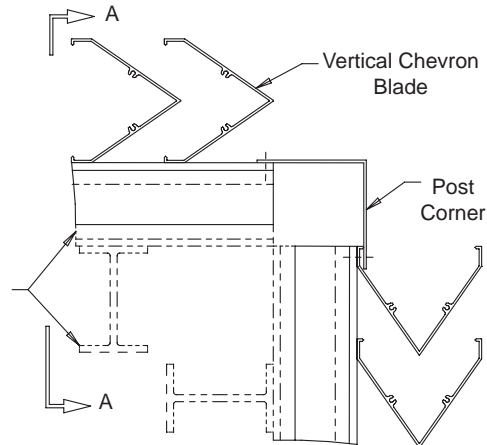
| Panels | Min Panel | Max Single Panel |
|--------|-------------|--------------------------|
| ASV | 12"W x 12"H | 60"W x 96"H 40 sq.ft. |



Section View



Mitered Corner Detail



Post Corner Detail

air balance

Dampers  Louvers
 UL Life Safety Products
 Division of Mestek
 Member of AMCA

MODEL ASV

Equipment Screen • Extruded Aluminum Louvers

This page intentionally left blank.

air balance

Dampers  Louvers
UL Life Safety Products
Division of Mestek
Member of AMCA