

MODEL BV15

1½" Deep • 45° Blades • Flange Frame • Extruded Aluminum Brick Vent

STANDARD MATERIALS AND CONSTRUCTION

- FRAME:** .125 thick extruded aluminum alloy
- BLADE:** .125 thick extruded aluminum alloy
- SCREEN:** Aluminum mesh insect screen 18x16
- FINISH:** Clear anodized

OPTIONS

Finish - Baked Powder Polyester, or Fluoropon

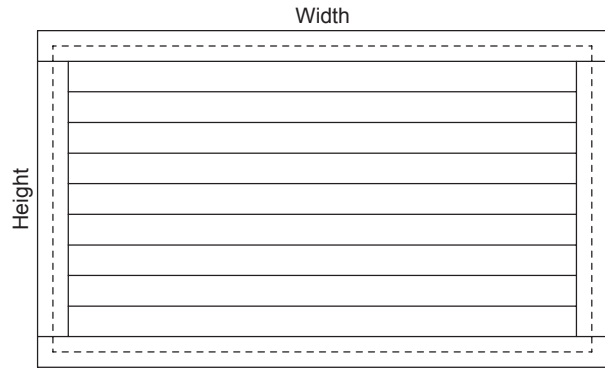
NOTES

1. "A" width and "B" height are opening dimensions.
2. Shipping weight approximately 6.0 lbs./sq.ft.

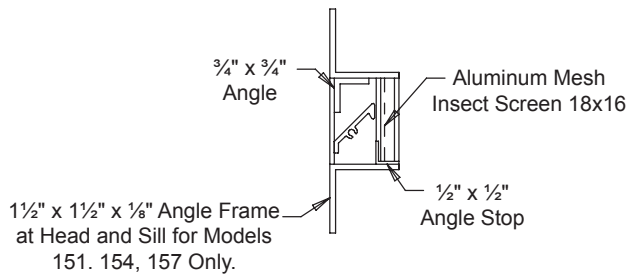
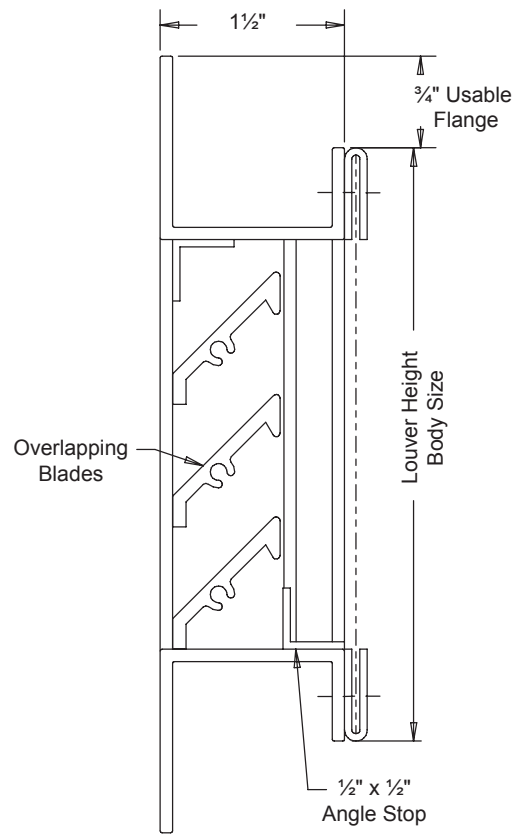
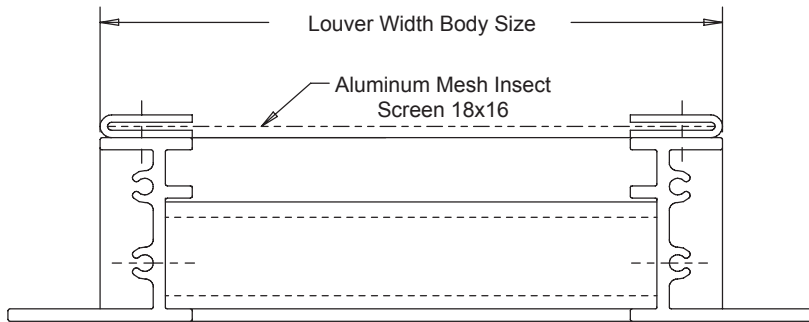
STOCK SIZES

| No. | Body Size | Free Area (sq.in.) |
|-----|--------------|--------------------|
| 151 | 8"W x 2½"H | 4.48 |
| 152 | 8"W x 4¾"H | 7.01 |
| 153 | 8"W x 7¾"H | 15.88 |
| 154 | 16½"W x 2½"H | 10.33 |
| 155 | 16½"W x 4¾"H | 16.18 |
| 156 | 16½"W x 7¾"H | 36.64 |
| 157 | 12"W x 2½"H | 7.23 |
| 158 | 12"W x 4¾"H | 11.32 |
| 159 | 24"W x 4¾"H | 24.16 |
| 162 | 24"W x 7¾"H | 54.96 |

For sizes not listed, contact customer service.



Full Head and Sill with Jambs Contained Within



MODEL BV15

1½" Deep • 45° Blades • Flange Frame • Extruded Aluminum Brick Vent

This page intentionally left blank.