

# MODEL BV40

4" Deep • 45° Blades • Extruded Aluminum Brick Vent

## STANDARD MATERIALS AND CONSTRUCTION

- FRAME:** .125 thick extruded aluminum alloy
- BLADE:** .125 thick extruded aluminum alloy
- SCREEN:** 18x16 Aluminum mesh insect screen
- FINISH:** Clear anodized

## OPTIONS

Finish - Baked Powder Polyester, or Fluoropon

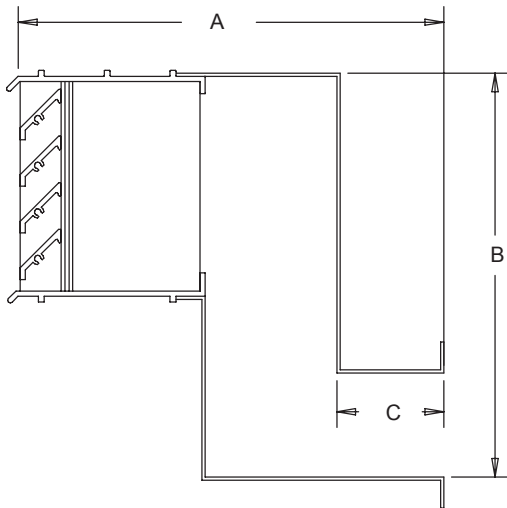
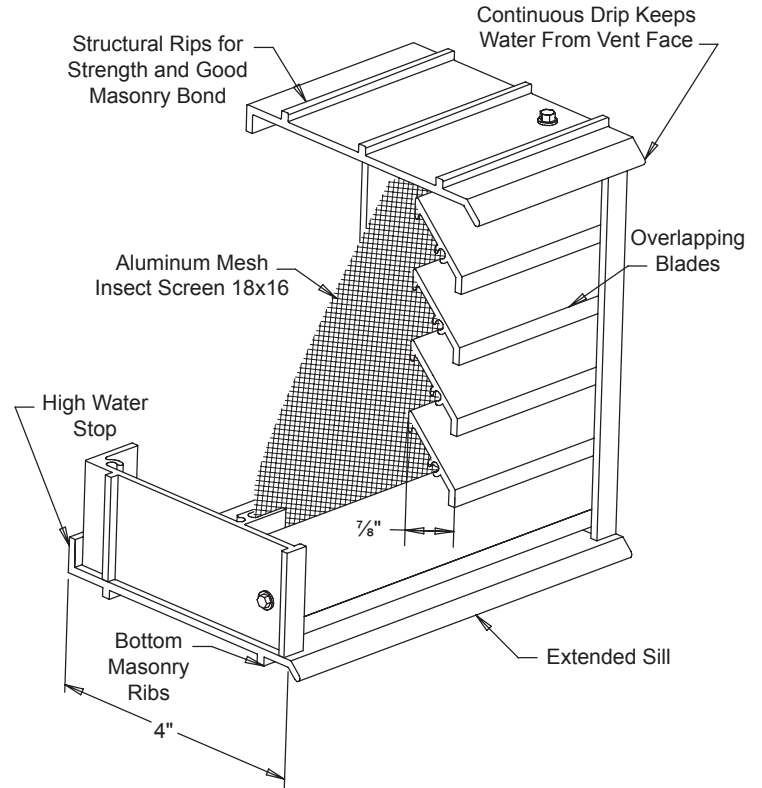
## NOTES

1. "A" width and "B" height are opening dimensions.
2. Shipping weight approximately 6.0 lbs./sq.ft.

## STOCK SIZES

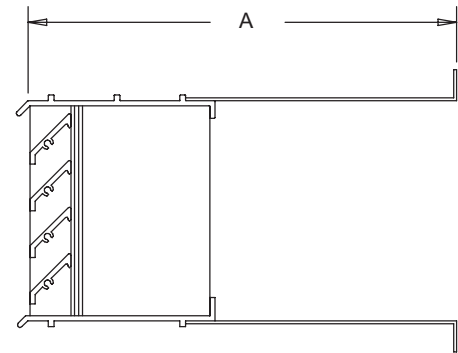
No.	Body Size	Free Area (sq.in.)
133	8"W x 2½"H	5.47
135	8"W x 4¾"H	9.93
140	8"W x 7¾"H	20.89
170	16½"W x 2½"H	13.10
172	16½"W x 4¾"H	24.04
174	16½"W x 7¾"H	45.79
127	12"W x 2½"H	9.07
125	12"W x 4¾"H	16.56
245	24"W x 4¾"H	36.43
247	24"W x 7¾"H	69.55

For sizes not listed, contact customer service.



"Z" Ducts

Fastened securely to vent 24-GA galvanized steel standard. Use when space to be vented is below grade. Providing dimensions A, B, and C.



Straight Ducts

Fastened securely to vent 24-GA galvanized steel standard. Specify wall thickness, A dimension.

# MODEL BV40

4" Deep • 45° Blades • Extruded Aluminum Brick Vent

This page intentionally left blank.