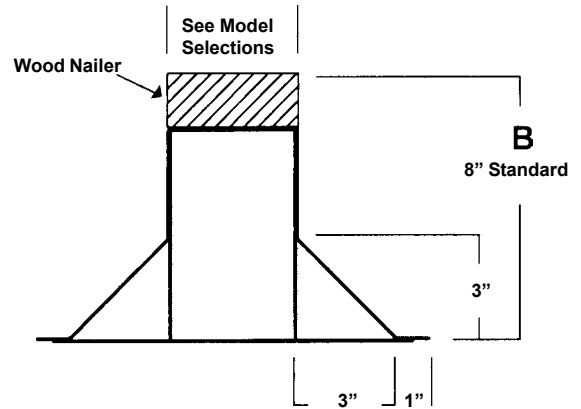
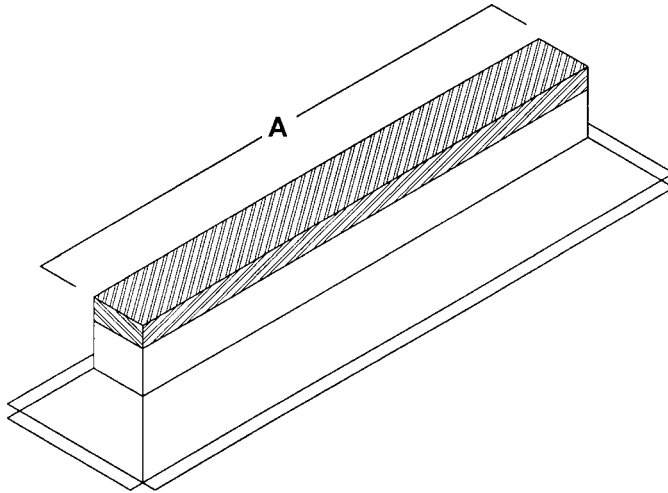


**MODEL EASC**  
**STANDARD CANT EQUIPMENT SUPPORT**  
**FORMED ALUMINUM**



| Qty. | 'A' | 'B' | Options / Accessories | Tag |
|------|-----|-----|-----------------------|-----|
|      |     |     |                       |     |
|      |     |     |                       |     |
|      |     |     |                       |     |
|      |     |     |                       |     |

**STANDARD CONSTRUCTION**

- Fabricated of .063" thick aluminum alloy 3003-H14 shell and base plate. All seams are fully welded and sprayed with protective coating.
- Incorporates a mitered 3" x 3" integral cant.
- Internal reinforcements at 12" centers.
- Factory installed wood nailer for equipment mounting (Mechanically fastened.)
- Mill finish is standard.
- Lengths exceeding 90" may require multiple section construction.

| <b>MODEL SELECTIONS</b> |               |                     |
|-------------------------|---------------|---------------------|
|                         | NOMINAL WIDTH | ACTUAL NAILER WIDTH |
| <b>EASC-04</b>          | <b>4"</b>     | <b>3-1/2"</b>       |
| <b>EASC-06</b>          | <b>6"</b>     | <b>5-1/2"</b>       |
| <b>EASC-08</b>          | <b>8"</b>     | <b>7-1/2"</b>       |
| <b>EASC-10</b>          | <b>10"</b>    | <b>9-1/2"</b>       |
| <b>EASC-12</b>          | <b>12"</b>    | <b>11-1/2"</b>      |

**OPTIONS / ACCESSORIES**

**PROJECT:** \_\_\_\_\_  
**LOCATION:** \_\_\_\_\_  
**ARCHITECT:** \_\_\_\_\_  
**ENGINEER:** \_\_\_\_\_  
**CONTRACTOR:** \_\_\_\_\_  
**PO NUMBER:** \_\_\_\_\_  
**DATE:** \_\_\_\_\_

**MATERIAL**

Aluminum products are also available in either .081" or .125" thick 3003-H14 alloy.

**PITCHED OR PEAKED**

All units are available as pitched or peaked. In conjunction with the overall unit dimensions, both the height rise, specified in linear inches per foot (e.g. 3" in 12") and the direction of the pitch must be specified.

**COUNTERFLASHING**

A removable metal cap fabricated of the same material as the equipment support provides for an effective method of attaching roofing felts.

**GASKET**

1/4" thick polyurethane foam gasket can be installed, lining the entire top perimeter. Gasket can be used in place of, or in addition to a wood nailer.

**FINISHES**

A wide selection of finishes including baked enamel, epoxy, or prime coat.

**abi** air balance  
A Mestek Company  
AMCA MEMBER

7435 Industrial Rd. • Florence, KY 41042  
 Phone: 419-865-5000 • Fax: 419-865-1374  
 www.air-balance.com