

# MODEL FSA with FLANGE

1" Deep • Flanged Framed • Duct Access Door

## STANDARD MATERIALS AND CONSTRUCTION

- FRAME:** 22-GA galvanized steel
- DOOR PANEL:** 24-GA galvanized steel
- INSULATION:** 1" fiberglass
- FINISH:** Mill

## OPTIONS

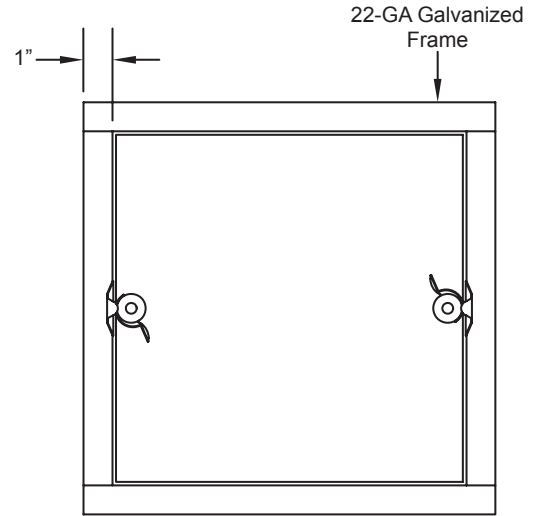
- Hinged or Flanged
- Viewports
- High Pressure

## NOTES

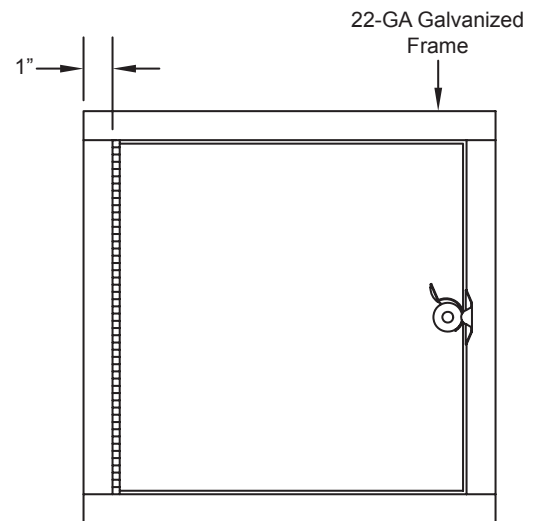
1. "A" width and "B" height are opening dimensions.
2. Duct opening should be 1/8" greater than door size.
3. Standard Pressure Rating is 4.5 in.wg. High Pressure Rating is 10 in.wg.
4. On non-standard doors, the height is always the larger dimension.

## DOOR SIZES

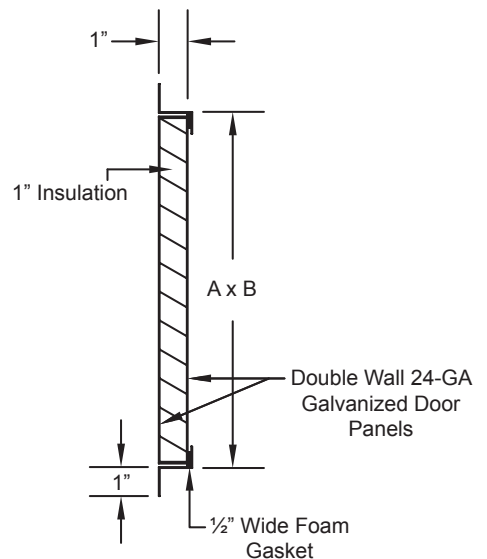
Panels	Standard Sizes	Hinged FSA102 Cams	Hinged High Pressure FSA102_H Cams	Cammed FSA103 Cams	Cammed High Pressure FSA103_H Cams
FSA	6"W x 6"H	1	3	2	4
	8"W x 8"H	1	3	2	4
	10"W x 10"H	1	3	2	4
	12"W x 12"H	1	3	2	4
	14"W x 14"H	1	3	2	4
	16"W x 16"H	2	6	4	8
	18"W x 18"H	2	6	4	8
	20"W x 20"H	2	6	4	8
	24"W x 24"H	2	6	4	8



**Cammed**



**Hinged**



air balance

Dampers  Louvers  
 UL Life Safety Products  
 Division of Mestek  
 Member of AMCA

# MODEL FSA with FLANGE

1" Deep • Flanged Framed • Duct Access Door

This page intentionally left blank.

air balance

Dampers  Louvers  
UL Life Safety Products  
Division of Mestek  
Member of AMCA