

MODEL FSAH

1" Deep • High Pressure Duct Access Door

STANDARD MATERIALS AND CONSTRUCTION

- FRAME:** 22-GA galvanized steel
- DOOR PANEL:** 24-GA galvanized steel
- INSULATION:** 1" fiberglass
- PRE-FORMED TABS:** 22-GA galvanized steel
- FINISH:** Mill

OPTIONS

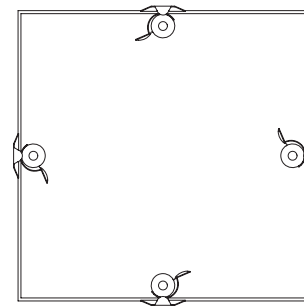
- .032" Aluminum with Plated Steel Cams and Strikers
- 24-GA Stainless Steel with Stainless Steel Cams and Strikers

NOTES

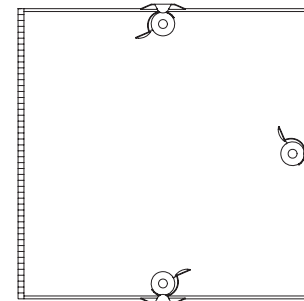
1. "A" width and "B" height are opening dimensions.
2. Standard construction to 10" Static Pressure.

DOOR SIZES

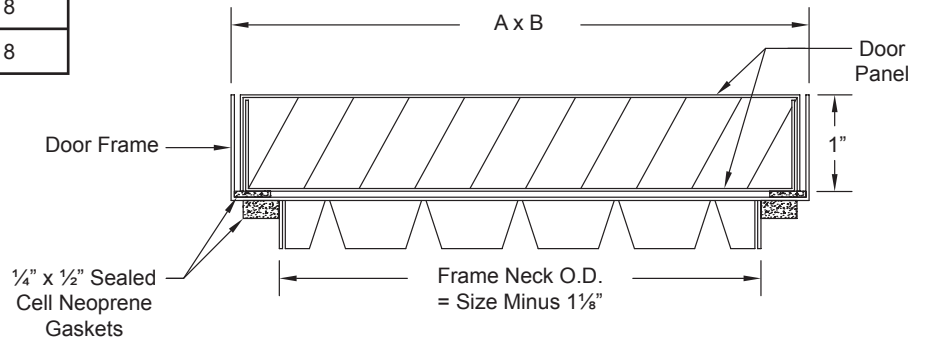
Panels	Standard Sizes	FSA100H Cams	FSA101H Cams
FSA	6"W x 6"H	3	4
	8"W x 8"H	3	4
	10"W x 10"H	3	4
	12"W x 12"H	3	4
	14"W x 14"H	3	4
	16"W x 16"H	6	8
	18"W x 18"H	6	8
	20"W x 20"H	6	8
	24"W x 24"H	6	8



FSA101H



FSA100H



MODEL FSAH

1" Deep • High Pressure Duct Access Door

This page intentionally left blank.

air balance

Dampers  Louvers
UL Life Safety Products
Division of Mestek
Member of AMCA