

# MODEL S605

6" Deep • 45° Baffle Blade • Formed Steel Stationary Louver

## STANDARD MATERIALS AND CONSTRUCTION

- FRAME:** 18-GA galvanized steel channel type
- BLADES:** 18-GA galvanized steel
- ASSEMBLY:** Riveted and/or welded; Full jambs with blades, head and sill contained within
- FINISH:** Mill
- SCREEN:** ½" sq. mesh 19-GA galvanized

## OPTIONS

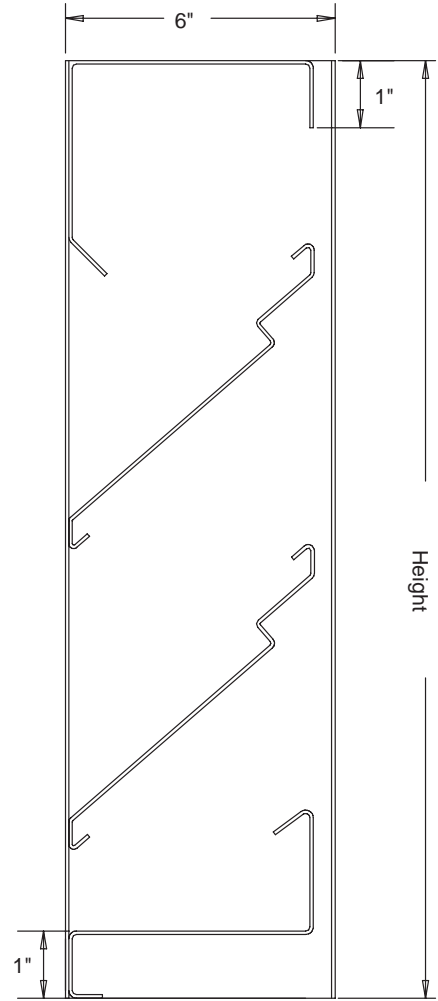
- Flange Frame
- Extended Sub-Sills (3" or 5")
- Sub-Frame
- Installation Angles
- Stainless Steel, Other Steel Gauges
- Finishes - Baked Enamel, Epoxies
- Variety of Bird and Insect Screens
- Blank-Off Panels

## NOTES

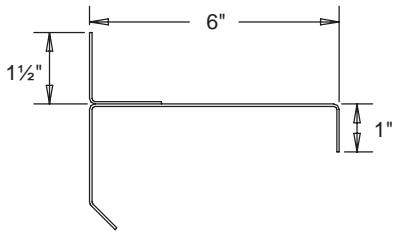
1. "A" width and "B" height are opening dimensions. Louvers are provided approximately ½" undersize.
2. Approximate louver weight is 8½ lbs./sq.ft.

## LOUVER SIZE

Panels	Minimum Panel	Maximum Panel
S605	12"W x 12"H	60"W x 96"H



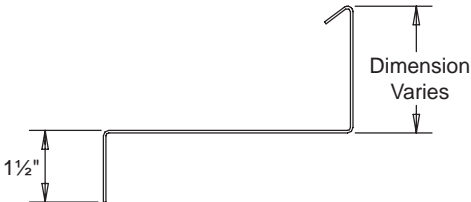
Section View



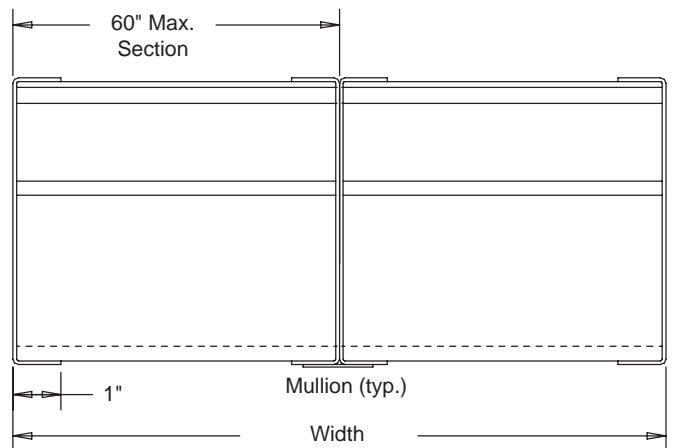
Head



Jamb



Sill



Mullion (typ.)

Width  
Top View

# MODEL S605

6" Deep • 45° Baffle Blade • Formed Steel Stationary Louver

Ratings do not include the effect of birdscreen.

Free Area sq.ft.

		Width								
		12	18	24	30	36	42	48	54	60
Height	12	.20	.32	.45	.57	.69	.81	.93	1.06	1.18
	24	.59	.95	1.31	1.67	2.02	2.38	2.74	3.09	3.45
	36	1.12	1.80	2.47	3.15	3.82	4.50	5.17	5.84	6.52
	48	1.57	2.25	3.46	4.41	5.35	6.30	7.33	8.19	9.13
	60	2.10	3.37	4.63	5.89	7.15	8.41	9.67	10.94	12.20
	72	2.55	4.08	5.61	7.14	8.67	10.20	11.73	13.26	14.79
	84	3.19	5.11	7.03	8.94	10.86	12.78	14.69	16.61	18.52
	96	3.39	5.42	7.45	9.48	11.51	13.55	15.58	17.61	19.64