

Sleeve or Sleeve and Damper

Hurricane Resistant Louver Models: A320 (NOA No: 05-1206.03), A680

APPLICATION

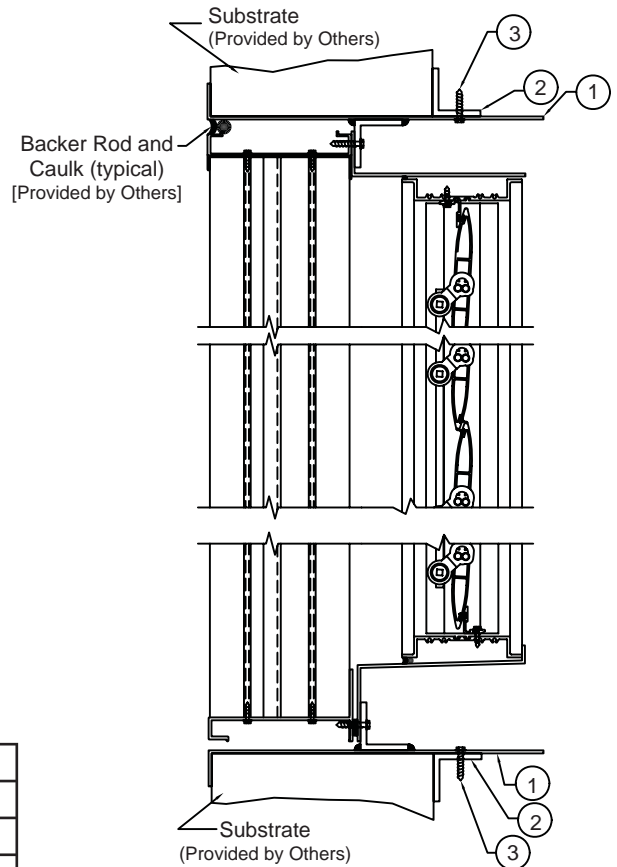
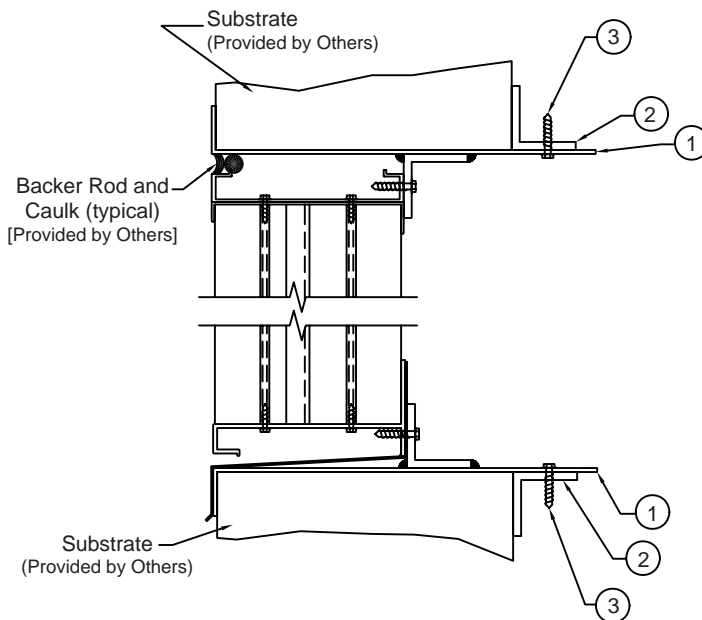
This damper/louver combination provides a Water Resistant System. The A320 (NOA No: 05.1206.03) Dade County Approved Louver requires the AFD20 damper installed with the louver panel to make it a Water Resistant System. The A680 Dade County Approved Louver is a Water Resistant System when an AFD20 or AC525/526 damper is installed with the louver panel.

PANEL SIZE

Model	Maximum Single Panel
A320	48"W x 96"H
A680	48"W x 96"H
AFD20	48"W x 96"H
AC525/526	24"W x 96"H

Notes

1. Number of dampers behind a louver panel is unlimited.
2. Damper mullions/seams do not have to align with louver panel seams.
3. Architectural louvers also apply.

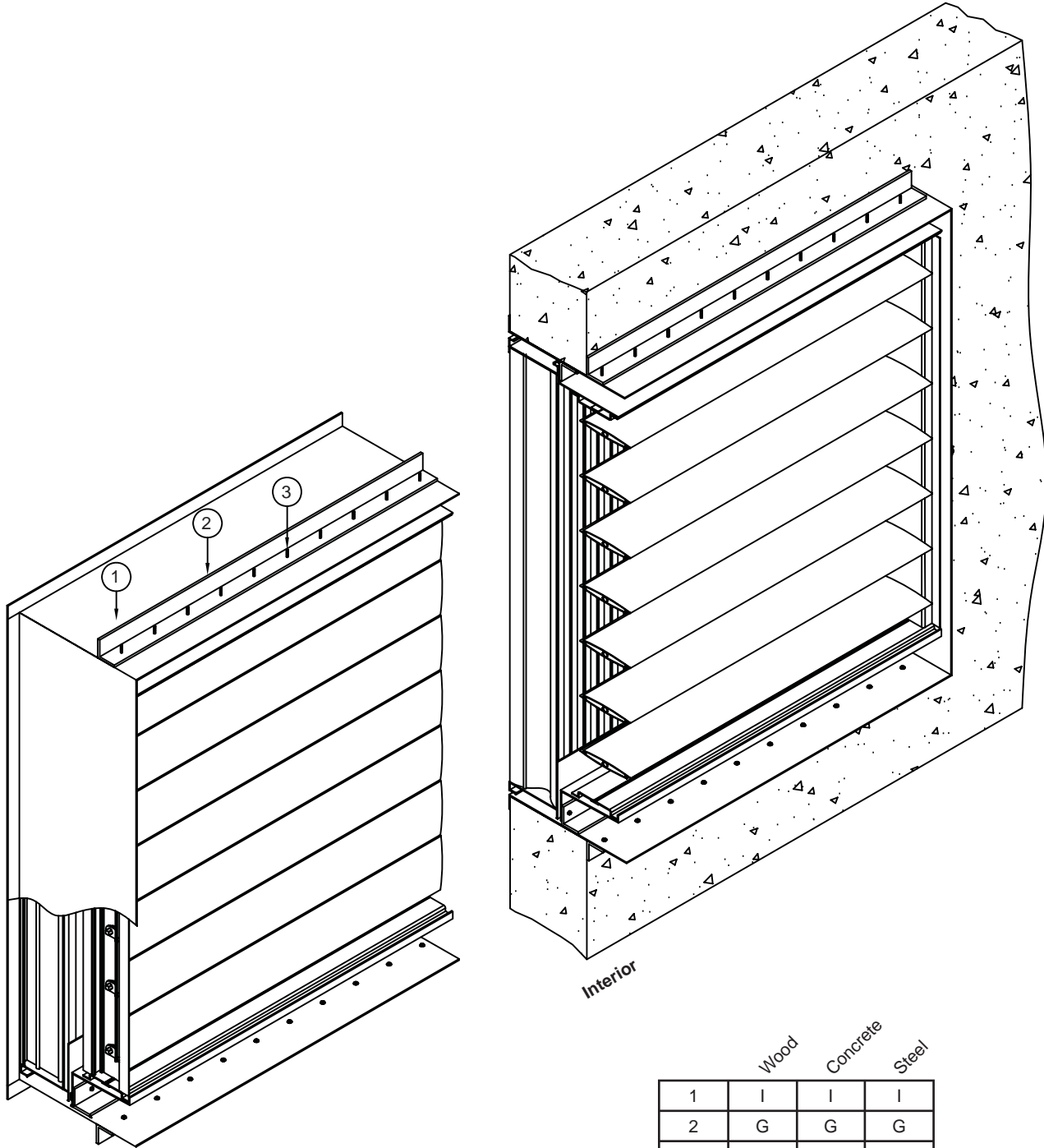


All Fasteners Must Be A307 Plated Steel or 304 Stainless Steel	
B	#14 x 1 1/4" Tek Screw
C	#10 x 2" Wood Screw
D	#10 x 2" Long Sheet Metal Screw
E	1/4" x 1 3/4" Long Tapcon Screw
F	1/4" x 1 3/4" Bolt
G	2" x 2" 6063-T5 Extruded Aluminum Angle
H	2" x 4" 6063-T5 Extruded Aluminum Angle
I	.125" Aluminum Sleeve

	Wood	Concrete	Steel
1	I	I	I
2	G/H	G/H	G/H
3	D	D	D

Sleeve or Sleeve and Damper

Hurricane Resistant Louver Models: A320 (NOA No: 05-1206.03) , A680



Substrate removed for clarity.

All Fasteners Must Be A307 Plated Steel or 304 Stainless Steel	
D	#10 x 2" Long Sheet Metal Screw
G	2" x 2" 6063-T5 Extruded Aluminum Angle
I	.125" Aluminum Sleeve