

Installation of Flanged Duct Connection for UL Dampers

Fire Damper Models: 119, 15S, 17S, 117, D19, 15D, 17D, D17, 319, 30S, 38S, 317, D39, 30D, 38D, D37, MA19, 15MA, 17MA, MA17, MD19, 15MD, 17MD, MD17, MA39, 30MA, 38MA, 37MA, MD39, 30MD, 38MD, 37MD

Fire/Smoke Damper Models: FR, CR, MR, AR, FS, CG, MS, AS, FT, CH, MT, AT, FA, CA, MA, UA, TA, CT, LA

APPLICATION

Breakaway connections are required in order to allow the duct work connecting a fire rated damper sleeve to "breakaway" from the damper sleeve so that the damper remains within the fire rated opening, thus maintaining the integrity of the wall or floor. The flanged connections included here within are UL approved for use as breakaway connections if installed per these installation instructions.

These tables detail successful SMACNA sponsored testing at Underwrites Laboratories conducted in 1991 under Assignment No. 91NK15526. Contact specific flanged duct connection manufactures regarding larger sizes or different number of cleats.

PANEL SIZE LIMITATIONS

Curtain Damper Size/Cleat Requirement

		Number of Cleats per Side				
		1	2	3	4	5
Connection	TDC	n/a	24"W x 24"H	n/a	60"W x 60"H	n/a
	TDF	18"W x 18"H	24"W x 24"H	48"W x 48"H	60"W x 60"H	n/a
	Ductmate	n/a	18"W x 18"H	n/a	n/a	60"W x 60"H
	Ward	12"W x 12"H	n/a	n/a	48"W x 48"H	n/a
	Nexus	n/a	n/a	24"W x 24"H	n/a	n/a

Multi-Blade Fire Damper and Fire/Smoke Damper Size/Cleat Requirement

		Number of Cleats per Side			
		1	2	3	4
Connection	TDC	n/a	24"W x 24"H	36"W x 48"H	n/a
	TDF	18"W x 18"H	n/a	36"W x 48"H	n/a
	Ductmate	12"W x 12"H	n/a	n/a	36"W x 48"H
	Ward	n/a	24"W x 24"H	n/a	36"W x 48"H
	Nexus	n/a	n/a	n/a	36"W x 48"H

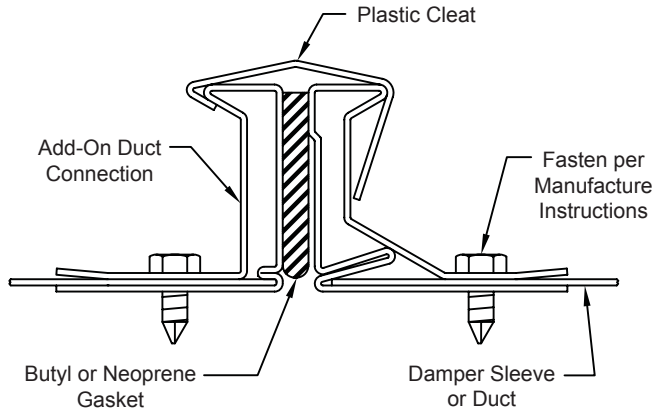
REQUIREMENTS

1. Per flanged system manufacture's instructions, install the flange system onto the damper sleeve or duct.
2. Seal the two flange systems together with neoprene or butyl gasket.
3. Align the flanges together. An optional $\frac{3}{8}$ " bolt may be used to help alignment.
4. Install the cleats equally spaced in quantities per the chart provided above.
5. Flange connector to damper sleeve and/or flange connector to flange connector can be caulked using Design Polymeric's DP1010 or Precision's PA2084T.

Installation of Flanged Duct Connection for UL Dampers

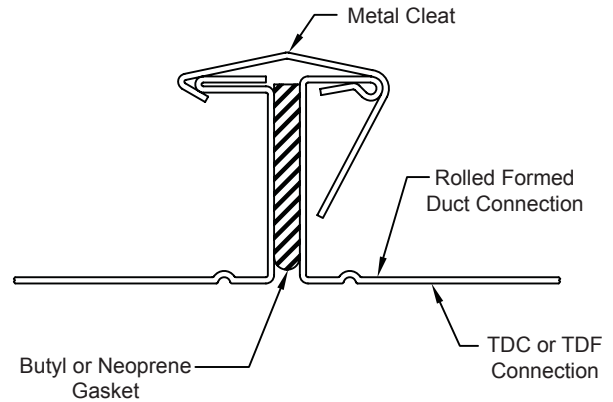
Fire Damper Models: 119, 15S, 17S, 117, D19, 15D, 17D, D17, 319, 30S, 38S, 317, D39, 30D, 38D, D37, MA19, 15MA, 17MA, MA17, MD19, 15MD, 17MD, MD17, MA39, 30MA, 38MA, 37MA, MD39, 30MD, 38MD, 37MD

Fire/Smoke Damper Models: FR, CR, MR, AR, FS, CG, MS, AS, FT, CH, MT, AT, FA, CA, MA, UA, TA, CT, LA



Ductmate, Ward, and Nexus Connections

- Connections assembled without the four corner nuts and bolts
- Cleats as required per chart on the front
- Maximum size of 60"W x 60"H for use with Curtain Fire Dampers
- Maximum size of 36"W x 48"H for use with Multi-Blade Fire and Fire/Smoke Dampers



TDC, TDF Flanged Connections

- Connections assembled with or without the four $\frac{3}{8}$ " corner nuts and bolts
- Cleats as required per chart on the front
- Maximum size of 60"W x 60"H for use with Curtain Fire Dampers
- Maximum size of 36"W x 48"H for use with Multi-Blade Fire and Fire/Smoke Dampers